

TECHNICAL DATA SHEET

Windows > Bilico in PVC

DAUNIA
INFISSI ITALIANI



SERIES

HORIZONTAL BILICO76

Horizontal Bilico76 is a practical system that offers the possibility to fit large windows with a single sash, using a central, solid and easy to handle hinge. A handy, functional solution that brings more light into those rooms that need it.



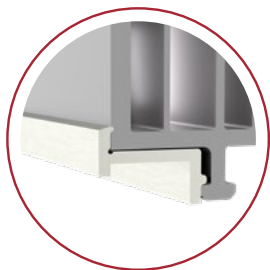
Wide Range of colours:

This means you can always find the best solution for your home.



Rebate of only 7 mm from the sash:

Guarantees lightweight to the window design.



Aluminium drip bar:

Covers water drainage holes at the front with the purpose-made drainage caps.



Ventilation grille:

Hides the unsightly upper ventilation slots in the frame.



Fastening cap:

Covers the screws used for fastening.

THERMAL TRANSMITTANCE

NODE (Uf)	1,10 W/m ² K
GLASS (Ug)	1,10 W/m ² K
COMBINATION (Uw)	1,18 W/m ² K

Uw up to **0,77 W/m² K** (with appropriate glazing)

Uw: thermal values of the individual frame components (frame and glazing)

TECHNICAL SPECIFICATIONS

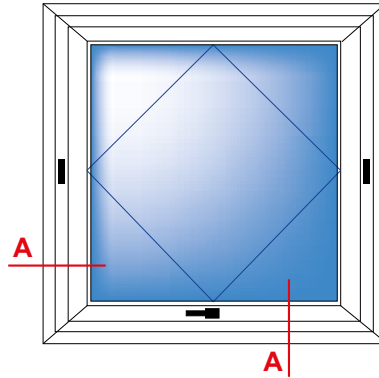
- 6 chambers with a construction depth of 76 mm
- Double rabbet seal + central seal
- Welded seal on slanted joints
- Certified Double glazing featuring high-level heat and sound insulation with Warm Edge duct
- Possibility to use double glazing up to 60 mm thick
- Glass-casement bonding with special foam for improved structure and sound insulation
- Band type hardware with three lock points, handle and opening limitation
- Central hinge with soft mechanism and capacity of up to 100 kg to turn the sash through 180°
- Product 100% Made in Italy
- 100% recyclable



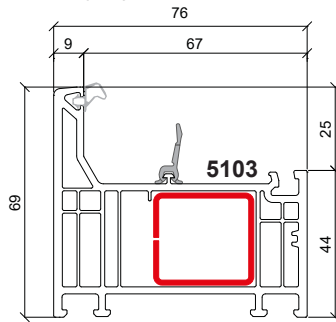
VERIFICATIONS
to which the system has been subjected

SERIES
HORIZONTAL
BILICO76

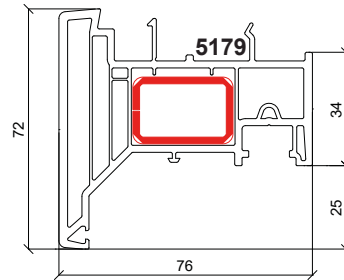
VERIFICATION	VERIFICATION RESULT	OBSERVATIONS
Summary of test report 0036/21	Air permeability according to DIN EN 12207: class 4 Resistance to driving rain compliant with DIN EN 12208: class 9A Wind resistance according to DIN EN 12210: class C4	Verification based on different frame and sash combinations



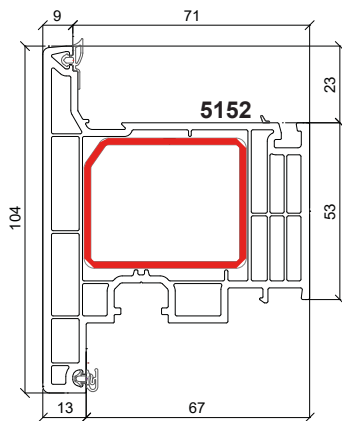
Frame



Stop exchange



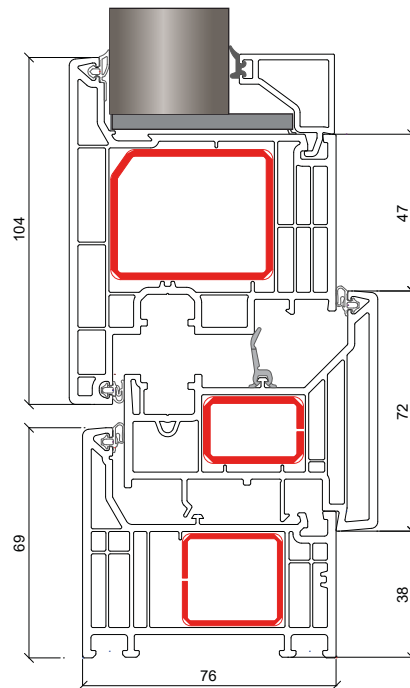
Sash



Drip bar



Section A



BATCH COLOURS



Bianco 3

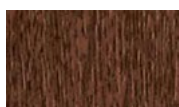


Avorio 096

TYPE A COATING



Ciliegio 110



Noce 154



**Bianco classico
100**



Crema 96



**Cedro sbiancato
694**



Grigio Cedro 143



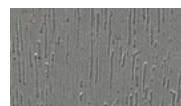
Grigio 004



Verde scuro 006



**Grigio Antracite
liscio 048**



**Grigio Quarzo
068**



**Grigio Antracite
072**



Blu Acciaio 079



Winchester 109



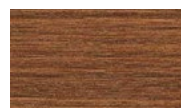
**Bronzo scuro
138**



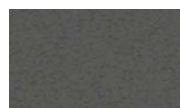
Macore 144



**Alluminio Grigio
184**



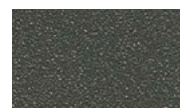
Douglas 402



**Grigio Basalto
liscio 628**



Grigio liscio 651



Alux DB703 653



**Noce Sorrento
Balsamico 663**



**Grigio Basalto
667**



**Grigio Antracite
Stylo 686**



**Nero Grafite
Stylo 690**



**Grigio Chiaro
907**



**Alluminio liscio
911**



**Alluminio Bianco
925**



**Marrone
cioccolato 008**

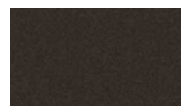
TYPE B COATING



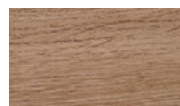
**Rosso scuro
027**



**Nero Grafite
Matt 043**



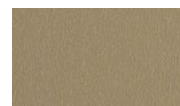
**Grigio Ombra
Matt 044**



**Woodec Turner
Oak Matt 047**



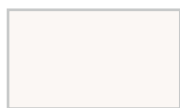
**Grigio Antracite
Matt 103**



**Bronzo
spazzolato 119**



**Verde Muschio
134**



Bianco Matt 358



**Woodec Turner
Oak Toffee 1342**



**Woodec Turner
Oak Walnut 1346**



**Woodec Sheffield
Oak Concrete 1036**



**Woodec Sheffield
Oak Alpine 1042**