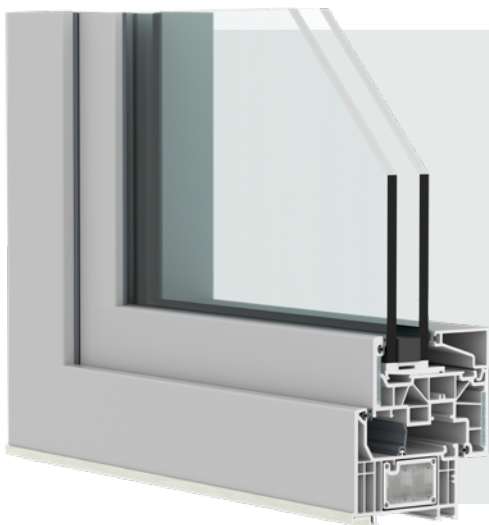


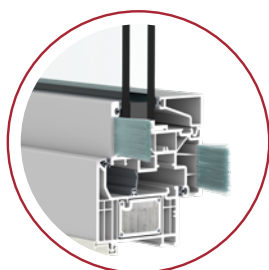
TECHNICAL DATA SHEET

Windows > Windows and french windows in PVC



SERIES **BRILLET**

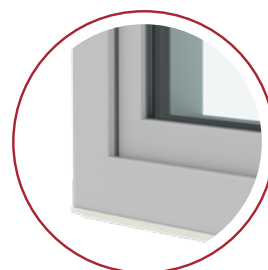
Brillet cleverly revolutionizes the PVC frame sector by combining all the latest industry innovations in a single system. Brillet windows feature minimalist and clean lines, giving them a refined appearance. One of the elements that make this series unique is a rebate of only 7 mm from the sash. Other key aspects are its sustainability, as Brillet is a 100% recyclable series, and its composition, as it features ThermoFibra and Forthex reinforcement technologies.



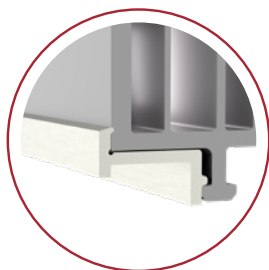
ThermoFibra profiles:
For excellent mechanical and thermal resistance.



Wide Range of colours:
This means you can always find the best solution for your home.



Rebate of only 7 mm from the sash:
Guarantees lightweight to the window design.



Aluminium drip bar:
Covers water drainage holes at the front with the purpose-made drainage caps.



Ventilation grille:
Hides the unsightly upper ventilation slots in the frame.



Fastening cap:
Covers the screws used for fastening.

THERMAL TRANSMITTANCE

NODE (Uf)	0,85 W/m ² K
GLASS (Ug)	1,10 W/m ² K
COMBINATION (Uw)	1,15 W/m ² K

Uw up to **0,77 W/m² K** (with appropriate glazing)
Uw: thermal values of the individual frame components (frame and glazing)



TECHNICAL SPECIFICATIONS

- 6 chambers with a construction depth of 76 mm
- Double rabbet seal + central seal
- Excellent levels of stability, thanks to the Forthex thermal reinforcement in the frame and coextruded Thermofibre on the casement
- Welded seal on slanted joints
- Certified Double glazing featuring high-level heat and sound insulation with Warm Edge duct + Argon Gas 90%
- Glass-casement bonding with special foam for improved structure and sound insulation
- Possibility to use double glazing up to 60 mm thick
- Roto NX, burglar-proof metal hardware with bottom hung casement as standard for the correct ventilation of the room
- Product 100% Made in Italy and 100% recyclable

VERIFICATION	VERIFICATION RESULT	OBSERVATIONS
Summary of test report 0036/21	Air permeability according to EN 12207 - UNI EN 120207: class 4 Resistance to driving rain compliant with EN 1227 - UNI EN 12208: class 9A Wind resistance according to EN 12211 - UNI EN 12210: class C4	Verification based on different frame and sash combinations
Suitability verification for ventilation window	Air permeability according to UNI EN 12207: class 4 Resistance to driving rain compliant with DIN EN 12208: class 9A	
Sound insulation verification	Sound protection classes 2, 3, 4, and 5	Verification based on different frame - sash and glass combinations
Thermal insulation verification	Thermal transmittance coefficient (U-value) $U_f = 0,85 \text{ W/m}^2\text{K}$	Verification carried out for combination 5101/5709

Thermal insulation for Window type:
1230 x 1480 mm - Frame/Sash node value:
 $U_f 0,85 \text{ W/m}^2\text{K}$

- with double glazing and Warm Edge duct
 $U_g 1,10 \text{ W/m}^2\text{K}$ - $\Psi 0,037$
Thermal insulation in class A with $U_w 1,15 \text{ W/m}^2\text{K}$
- with double glazing and Warm Edge duct
 $U_g 0,90 \text{ W/m}^2\text{K}$ - $\Psi 0,037$
Thermal insulation in class A with $U_w 1,04 \text{ W/m}^2\text{K}$
- with double glazed unit and Warm Edge duct
 $U_g 0,50 \text{ W/m}^2\text{K}$ - $\Psi 0,037$
(Maximum thickness of the glass is 60 mm)
Thermal insulation in class A with $U_w 0,77 \text{ W/m}^2\text{K}$

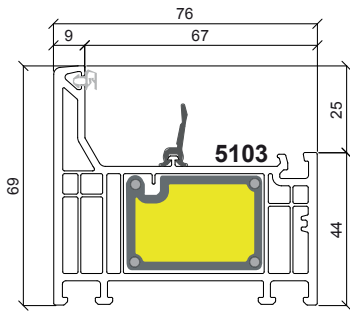
Hardware System Specification:

- Standard Roto NX hardware, load capacity 130 kg
- Burglar-proof class WK1, with false operation device and micro-ventilation
- Special RotoSil Nano surface treatment according to the Class 4 based on the requirement of DIN EN 13126/8
- Fastenings screwed onto reinforcement with the possibility of increasing the degree of break-in

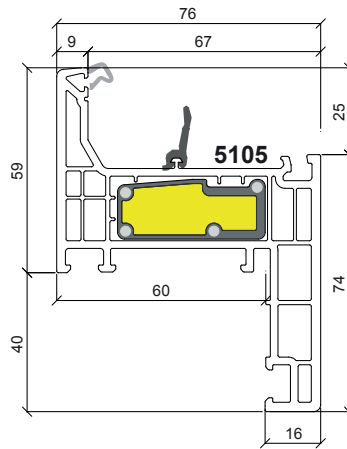
On request

- Fully concealed hardware
- Hardware with optional systems with resistance class WK2 - WK3 (WK3 not certifiable)

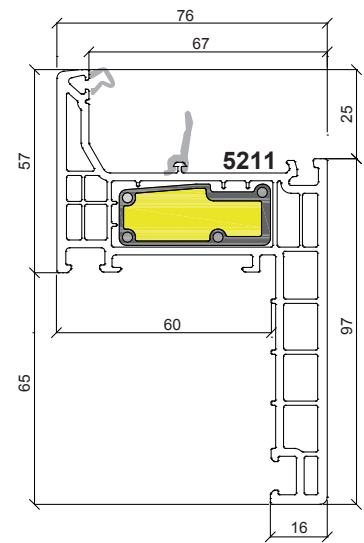
Frame



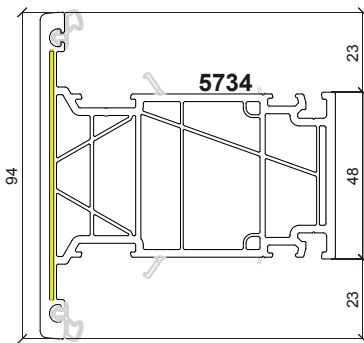
Frame



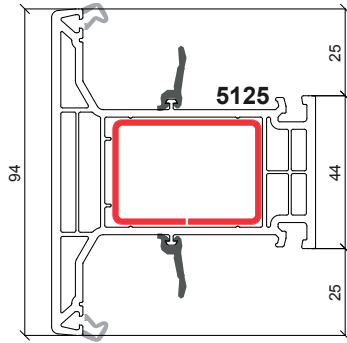
Frame



Transom on sash



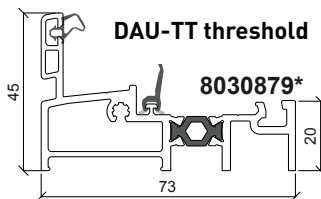
Transom/Mullion on frame



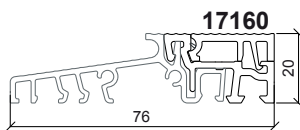
Drip bar



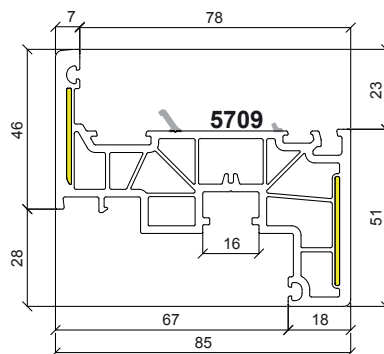
DAU-TT threshold



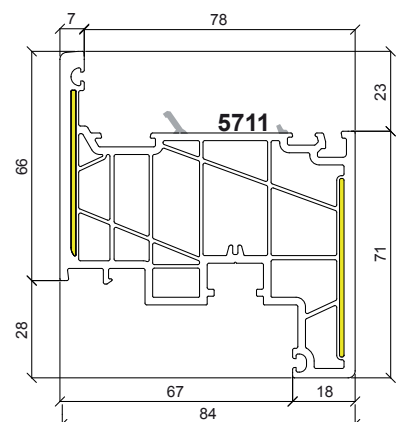
DEK TT low threshold



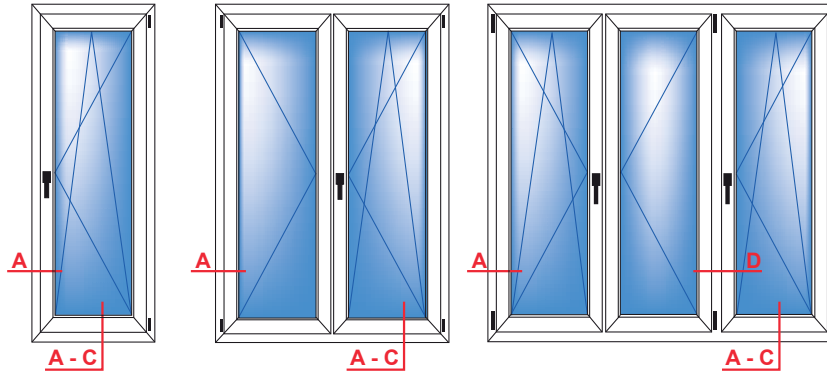
Sash



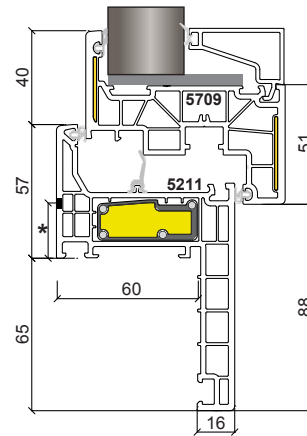
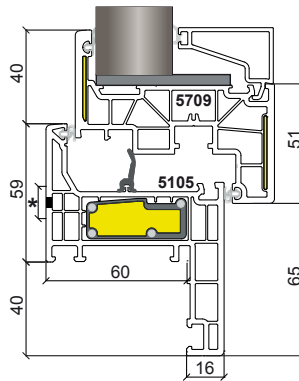
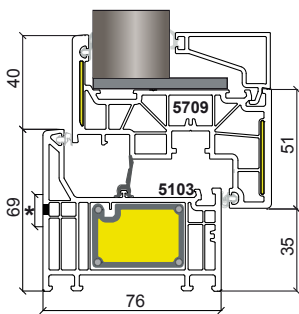
Half glazed sash



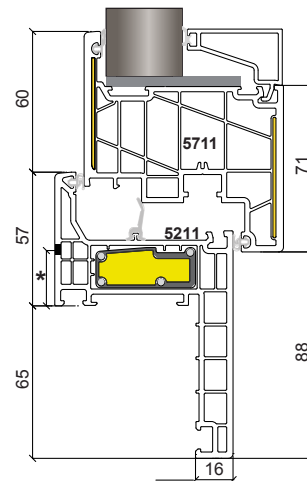
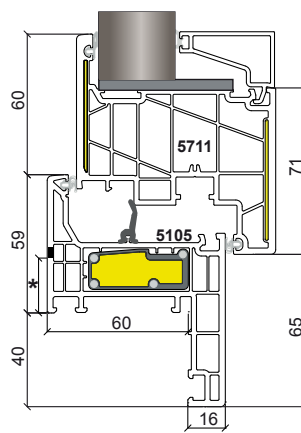
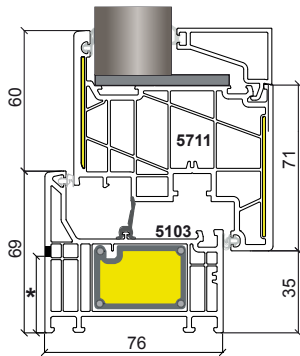
*only on frame 5103



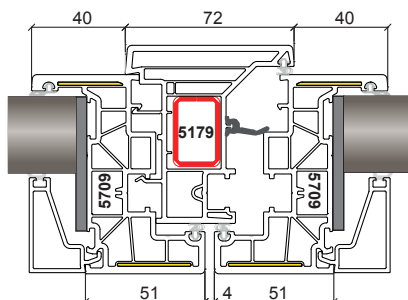
**Section A - C
Frame - Sash**



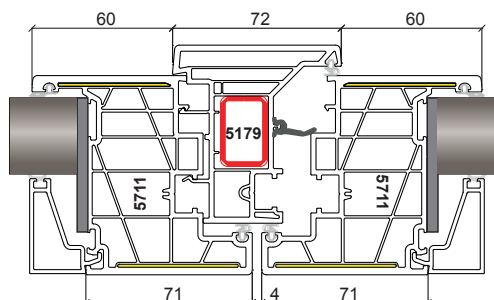
**Section A - C
Frame - Semi-rebated sash**



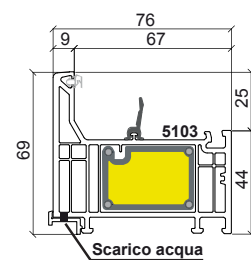
**Section B
Central node 2 sashes**



**Section B
Central node 2 sashes**

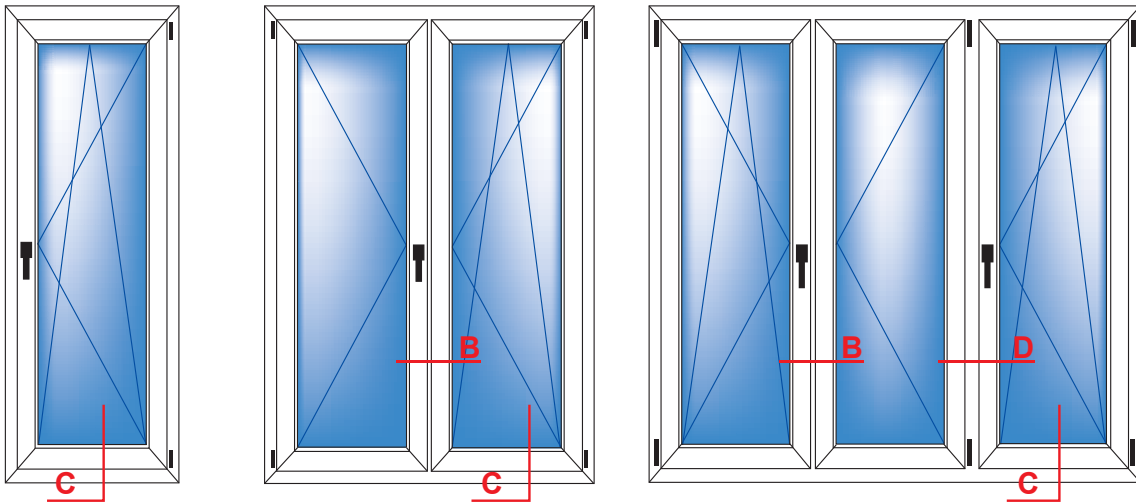


**Particular
Frame with Sill**

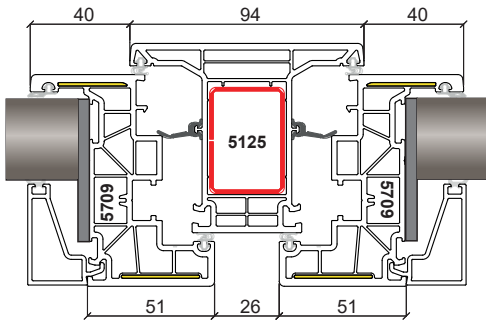


1:3 scale

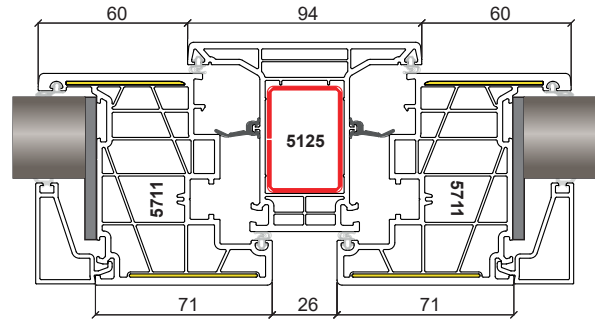
On the frame, at the height of the water drainage hole, approximately 35 mm (center of the hole), on Z-profile frames, the height of the water drainage hole is approximately 25 mm (center of the hole).



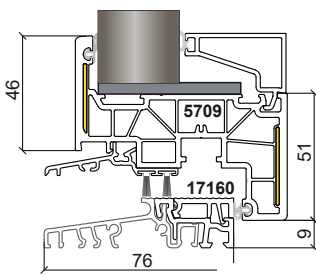
Section D
Sash node - Transom - Sash



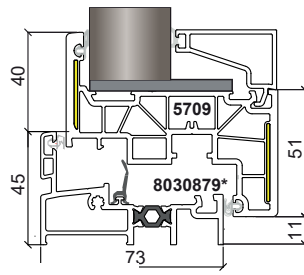
Section D
Sash node - Transom - Sash



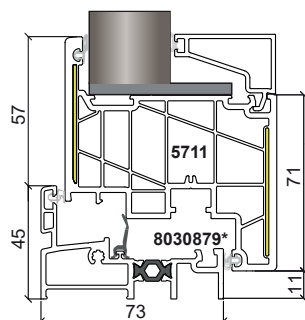
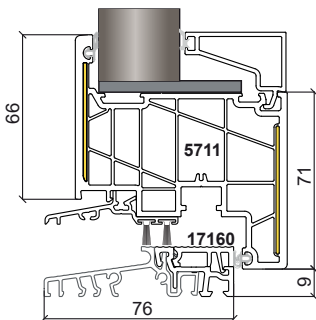
Section C
Threshold - Sash



Frame 5103 with threshold 8030879
Assembly detail



Section C
Semi-rebated sash



1:3 scale

BATCH COLOURS



Bianco 3

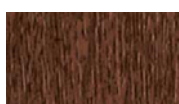


Avorio 096

TYPE A COATING



Ciliegio 110



Noce 154



**Bianco classico
100**



Crema 96



**Cedro sbiancato
694**



Grigio Cedro 143



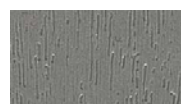
Grigio 004



Verde scuro 006



**Grigio Antracite
liscio 048**



**Grigio Quarzo
068**



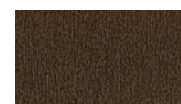
**Grigio Antracite
072**



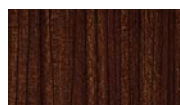
Blu Acciaio 079



Winchester 109



**Bronzo scuro
138**



Macore 144



**Alluminio Grigio
184**



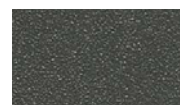
Douglas 402



**Grigio Basalto
liscio 628**



Grigio liscio 651



Alux DB703 653



**Noce Sorrento
Balsamico 663**



**Grigio Basalto
667**



**Grigio Antracite
Stylo 686**



**Nero Grafite
Stylo 690**



**Grigio Chiaro
907**



**Alluminio liscio
911**



**Alluminio Bianco
925**



**Marrone
cioccolato 008**

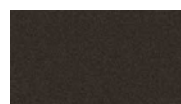
TYPE B COATING



**Rosso scuro
027**



**Nero Grafite
Matt 043**



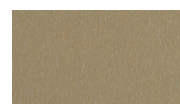
**Grigio Ombra
Matt 044**



**Woodec Turner
Oak Matt 047**



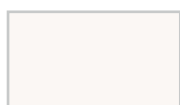
**Grigio Antracite
Matt 103**



**Bronzo
spazzolato 119**



**Verde Muschio
134**



Bianco Matt 358



**Woodec Turner
Oak Toffee 342**



**Woodec Turner
Oak Walnut 346**



**Woodec Sheffield
Oak Concrete 036**



**Woodec Sheffield
Oak Alpine 042**