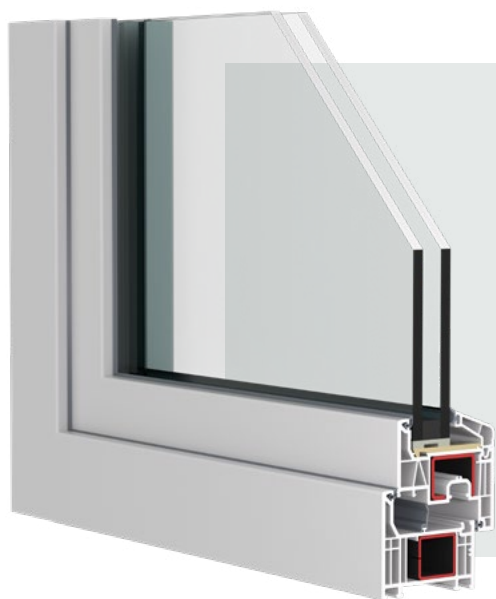


TECHNICAL DATA SHEET

Windows > Windows and french windows in PVC



SERIES

UNICO

The Unico system, with repairs in galvanized steel reinforcements, protects every type of interior at 360°. With a sash rebate of 9 mm, Unico windows and French windows simplify the design by optimizing space. They have traditional front water drainage holes to let the rain drain away without causing damage, rather than the typical aluminum bench. Unico system has ROTO NX Sil level 6" hardware, based on the already tested "NT" system, but more efficiency, safety, comfort and resistance to orrosion.



Robustness and resistance:
Resists thermal and mechanical stress.



Ventilation grille:
Hides the unsightly upper ventilation slots in the frame.



Fastening cap:
Covers the screws used for fastening.

THERMAL TRANSMITTANCE

NODE (Uf)	1,1 W/m ² K
GLASS (Ug)	1,1 W/m ² K
COMBINATION (Uw)	1,24 W/m ² K

Uw up to **0,77 W/m² K** (with appropriate glazing)

Uw: thermal values of the individual frame components (frame and glazing)

TECHNICAL SPECIFICATIONS

- 6 chambers with a construction depth of 76mm
- Double rabbet seal + central seal
- Galvanised steel reinforcements with a thickness of notable dimensions
- Welded seal on slanted joints
- Certified Double glazing featuring high-level heat and sound insulation with Warm Edge duct
- Possibility to use double glazing up to 60 mm thick
- Roto NX, burglar-proof metal hardware with bottom hung casement as standard for the correct ventilation of the room
- Product 100% Made in Italy
- 100% recyclable



VERIFICATION	VERIFICATION RESULT	OBSERVATIONS
Summary of test report 0036/21	Air permeability according to EN 12207 - UNI EN 120207: class 4 Resistance to driving rain compliant with EN 1227 - UNI EN 12208: class 9A Wind resistance according to EN 12211 - UNI EN 12210: class C4	Verification based on different frame and sash combinations
Suitability verification for ventilation window	Air permeability according to UNI EN 12207: class 4 Resistance to driving rain compliant with DIN EN 12208: class 9A	
Sound insulation verification	Sound protection classes 2, 3, 4, and 5	Verification based on different frame - sash and glass combinations
Thermal insulation verification	Thermal transmittance coefficient (U-value) $U_f = 1.1 \text{ W/m}^2\text{K}$	Verification carried out for combination 5103/5150

Thermal insulation for Window type:
1230 x 1480 mm - Frame/Sash node value:
 $U_f 1.1 \text{ W/m}^2\text{K}$

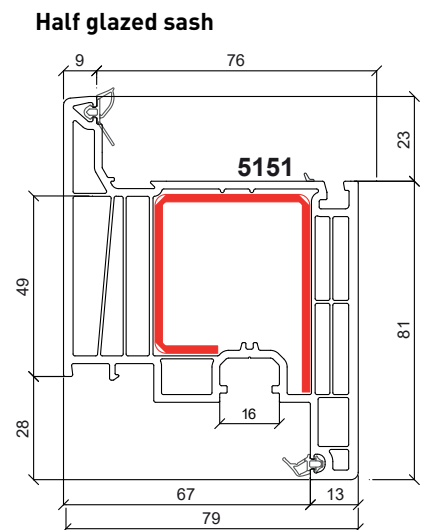
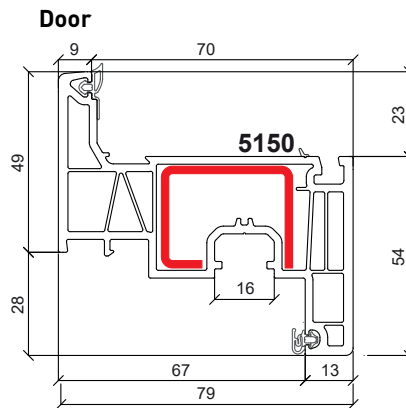
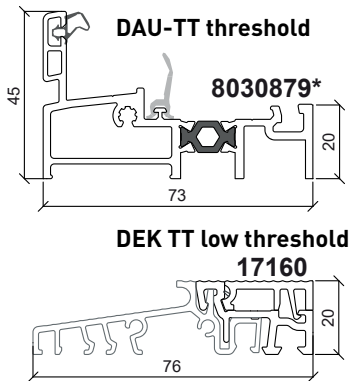
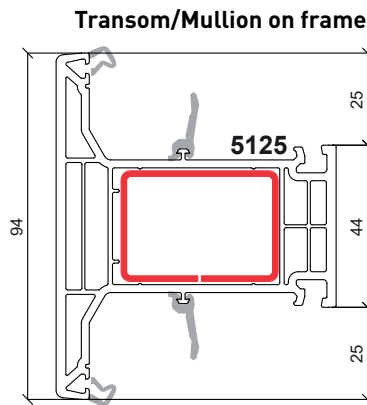
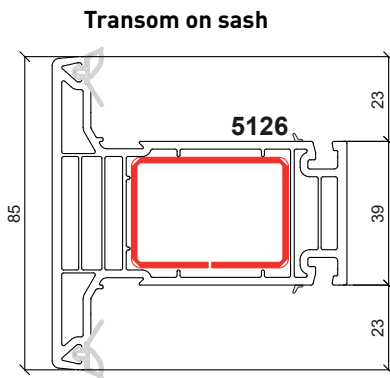
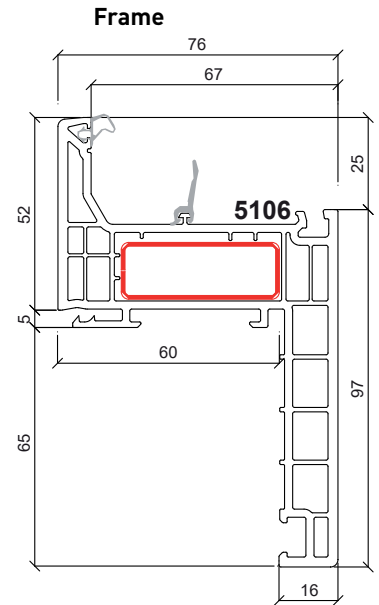
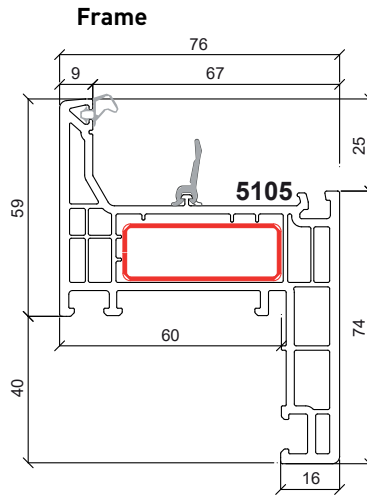
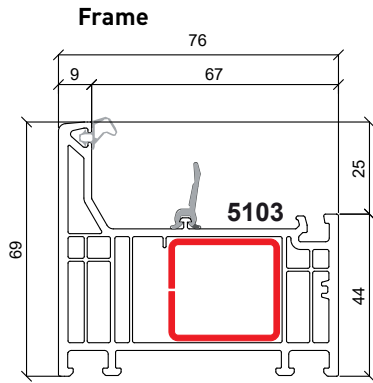
- with double glazing and Warm Edge duct
 $U_g 1.1 \text{ W/m}^2\text{K}$ - $\Psi 0.037$
Thermal insulation in class A with $U_w 1.24 \text{ W/m}^2\text{K}$
- with double glazing and Warm Edge duct
 $U_g 0.9 \text{ W/m}^2\text{K}$ - $\Psi 0.037$
Thermal insulation in class A with $U_w 1.11 \text{ W/m}^2\text{K}$
- with double glazed unit and Warm Edge duct
 $U_g 0,5 \text{ W/m}^2\text{K}$ - $\Psi 0,037$
(Maximum thickness of the glass is 60 mm)
Thermal insulation in class A with $U_w 0.86 \text{ W/m}^2\text{K}$

Hardware System Specification:

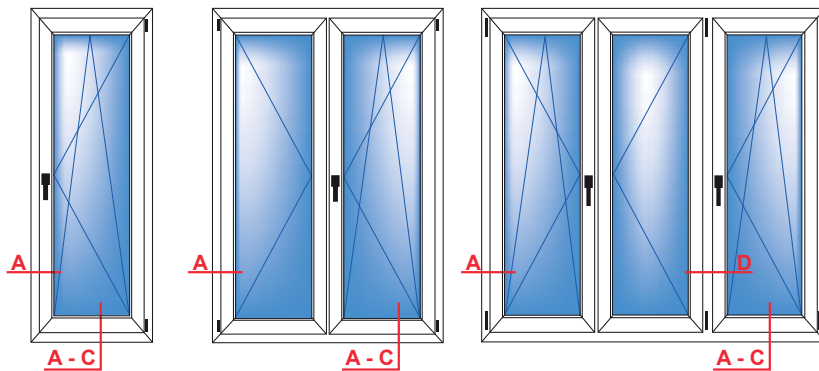
- Standard Roto NX hardware, load capacity 130 kg
- Burglar-proof class WK1, with false operation device and micro-ventilation
- Special RotoSil Nano surface treatment according to the Class 4 based on the requirement of DIN EN 13126/8
- Fastenings screwed onto reinforcement with the possibility of increasing the degree of break-in

On request

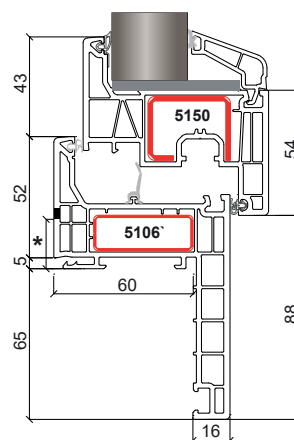
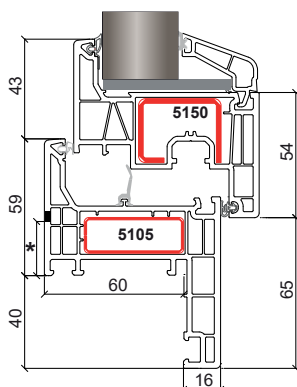
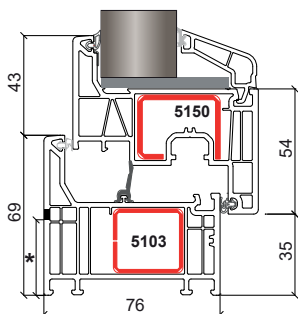
- Hardware with optional systems with resistance class WK2 - WK3 (WK3 not certifiable)



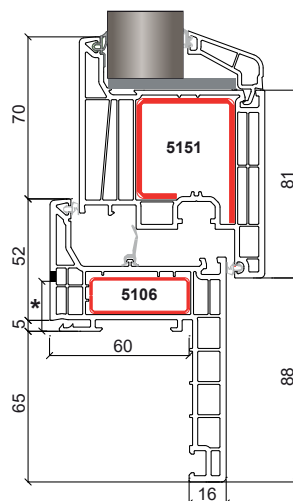
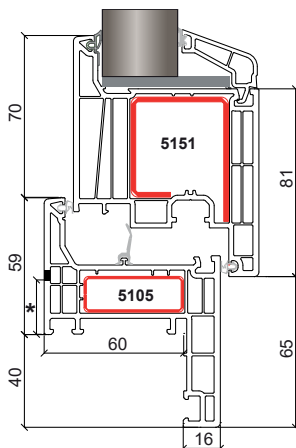
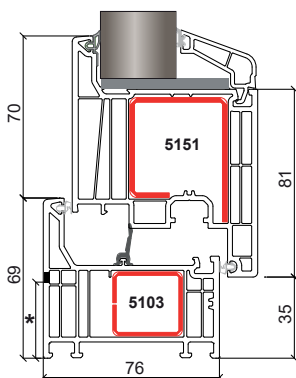
*only on frame 5103



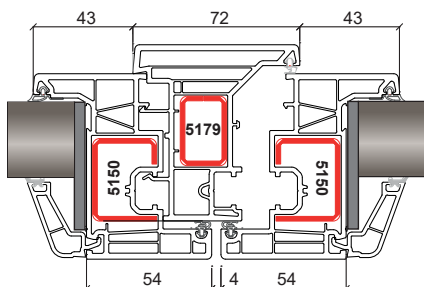
Section A - C
Frame - Sash



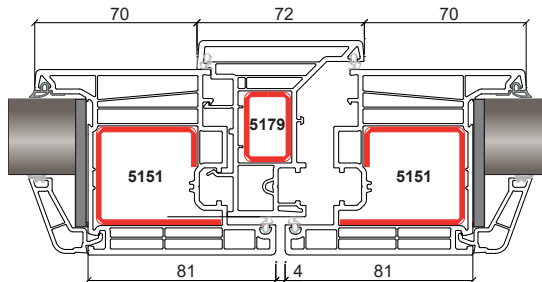
Section A - C
Frame - Half glazed sash



Section B
Central node 2 sashes

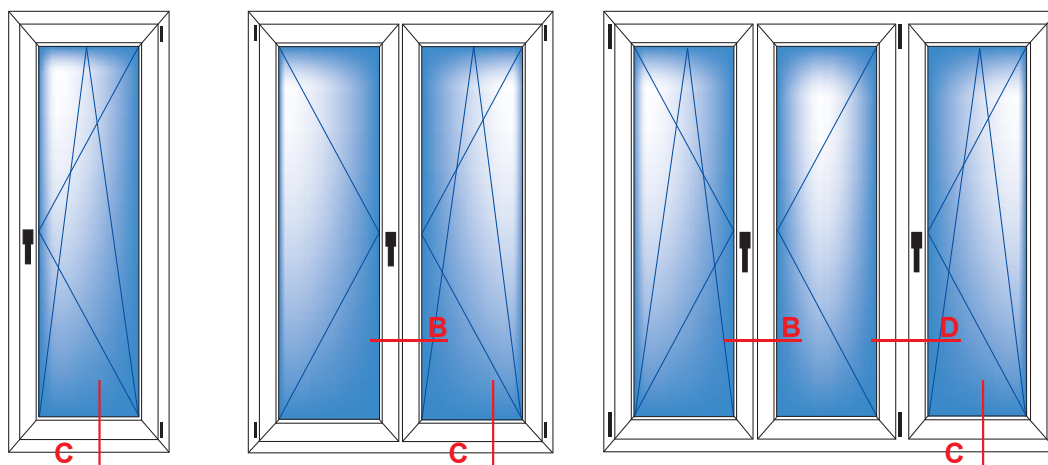


Section B
Central node 2 sashes

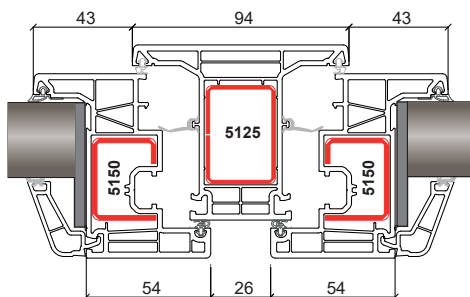


1:2 scale

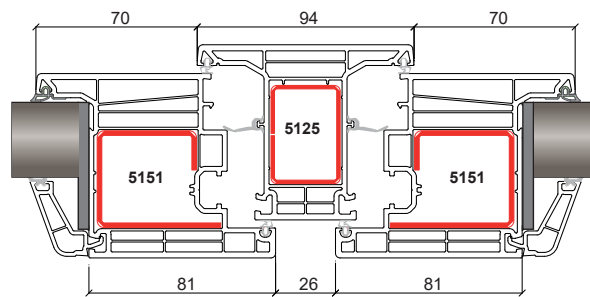
On the frame, at the height of the water drainage hole, approximately 35 mm (center of the hole), on Z-profile frames, the height of the water drainage hole is approximately 25 mm (center of the hole).



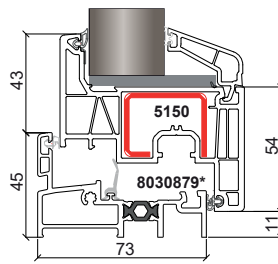
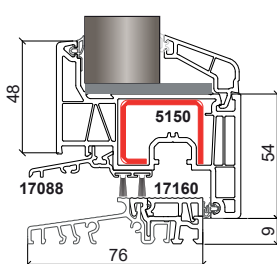
Section D
Sash node - Transom - Sash



Section D
Sash node - Transom - Sash



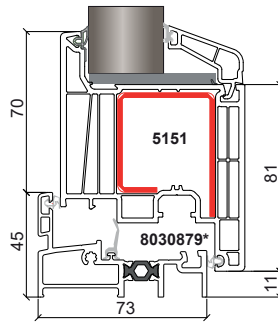
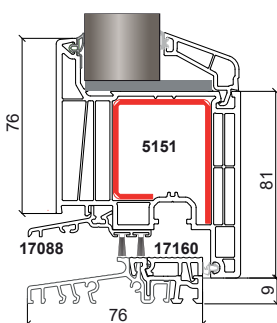
Section C
Threshold - Sash



Frame 5103 with threshold
8030879
Assembly detail



Section C
Threshold - Semi-rebated sash



*only on frame 5103

BATCH COLOURS

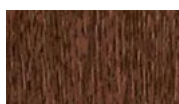


Bianco 3

TYPE A COATING



Ciliegio 110



Noce 154



**Bianco classico
100**



Crema 96



**Cedro
sbiancato 694**



**Grigio Antracite
liscio 048**